



Installation / Owner's Guide

250-8274

Warning

This product is intended to assist in safe driving and to allow the driver to have a broader rear view while the vehicle is in reverse. You, as the driver, are solely responsible for the safe operation of your vehicle and the safety of your passengers according to local traffic regulations. Do not use any features of this system to the extent it distracts you from safe driving. Your first priority while driving should always be the safe operation of your vehicle. Rostra and its parent company, Voxx Electronics Corporation, cannot accept any responsibility whatsoever for accidents resulting from failure to observe these precautions or safety instructions.

1. This product utilizes high voltage. Any unauthorized modifications or damage to the product may result in electrical shock. Handle all components with care. Inspect regularly for damage to components and cabling.
2. You are responsible for ensuring that the installation of this product does not void or affect the vehicle manufacturer's warranty. Rostra and its parent company, Voxx Electronics Corporation, are not liable in full or in part for improper installation resulting in loss or damage to your property, or for voiding all or part of the vehicle manufacturer's warranty.
3. Do not apply excessive force to any of the components contained within this kit. Excessive force used before, during or after installation that results in a damaged or non-functional part will void all warranties.
4. Please follow the procedures in this installation manual. Improper installation or modification of this product will void all warranties.

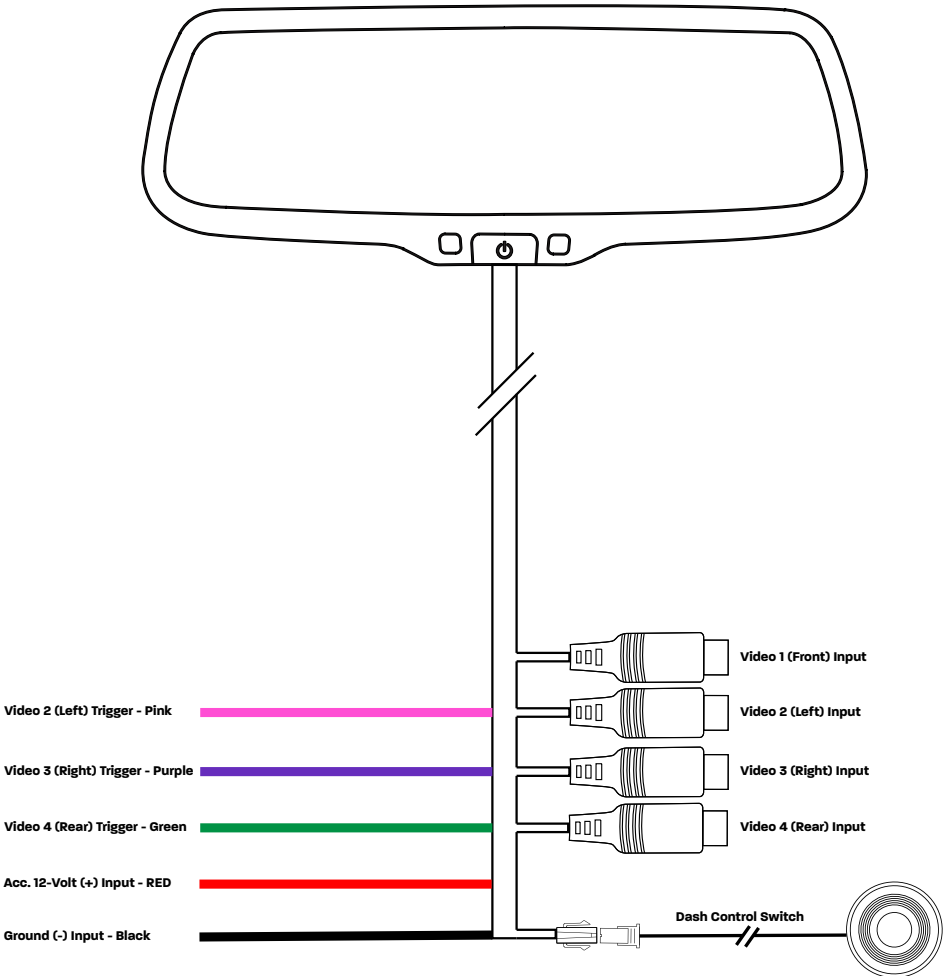
NOTE: When cleaning the mirror do NOT spray the mirror directly with cleaner. Use a soft cloth with screen cleaner applied lightly, and wipe. DO NOT SOAK the screen. Too much moisture could damage the electronics inside and this is not covered by warranty.

WARNING: Using the 2nd, 3rd, or 4th input to watch video of any kind while driving is always dangerous and may be illegal. The mirror monitor is not designed to be used this way.

System Layout

Product Description

This mirror design integrates multiple camera views onto your vehicle's rear view mirror. The mirror is designed to mount on any vehicle with a universal "Wedge" style mount. Additional adapters may be required. All vehicle specific adapters are sold separately.



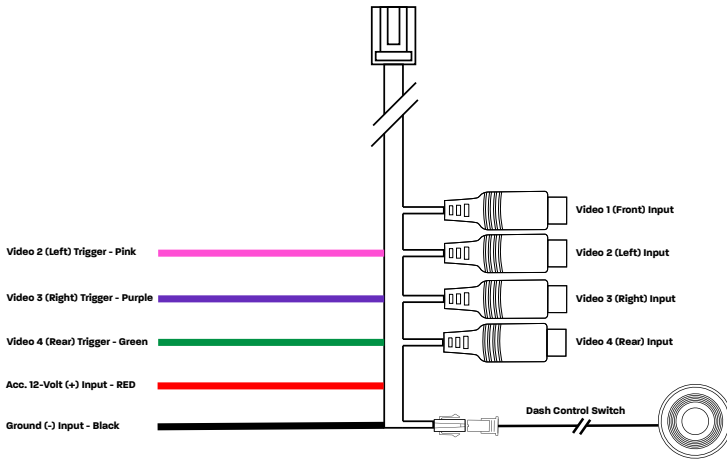
Installation

OEM Mirror Removal

Different vehicles have different mounting bracket styles. The removal procedure is dependent on the vehicle maker or mirror manufacturer. There are many methods to remove the original rear view mirror, however, please don't force the mirror off the bracket. Rostra will not be responsible for damage caused to your vehicle by incorrect installation of the mirror. Please refer to the OEM mirror or vehicle manufacturer for the correct removal procedure.

Note: Always use caution, DO NOT force the mount. Rostra will not be responsible for broken windshields. If you are not sure how to remove or re-install the mirror seek trained, qualified help.

Wire Harness Installation



Video Inputs:

Connect the camera video output to the corresponding camera video input on the mirror wiring harness.

Dash Control Switch:

The dash control switch is used to change the camera view that is displayed on the mirror. This can also be done using the "CH" touch button on the mirror display.

Mount the dash control switch in a location that is easily accessible to the driver. Be sure route this wire away from any moving parts such as the steering wheel and the vehicle's gear shifter.

Power / Ground Inputs:

The Red and Black wires are the main power supply for the mirror system. This system may operate using a maximum of two amps (2A) of current. Be sure to connect this to a vehicle circuit that can handle the additional power requirement.

Red - Accessory 12-Volt (+): Connect this the vehicle's main accessory circuit. This wire will test 12-Volt (+) when the key is in the accessory and ignition positions.

Black - Ground: Connect this wire to the vehicle's chassis ground. If possible this wire should be connected to a factory grounding location. If one is not available this wire should be attached to the vehicle's chassis using a screw to make a secure connection.

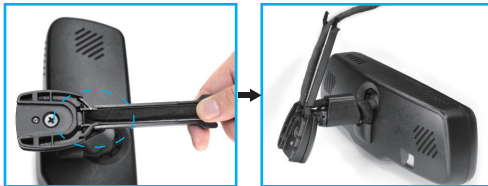
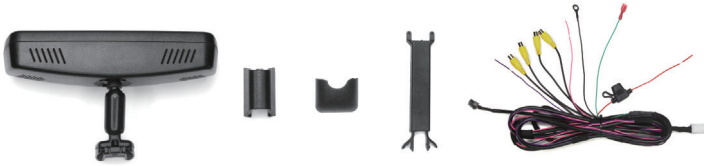
Trigger Inputs:

- **Pink** - Video 2 (Left) Trigger Input: Connect this wire to the vehicle's left turn signal wire. This wire will test as a Positive (+) pulse while the left turn signal is engaged.
- **Purple** - Video 3 (Right) Trigger Input: Connect this wire to the vehicle's right turn signal wire. This wire will test as a Positive (+) pulse while the right turn signal is engaged.
- **Green** - Video 4 (Reverse) Trigger Input: Connect this wire to the vehicle's reverse signal wire. This wire will test Positive (+) while the vehicle is in reverse gear.

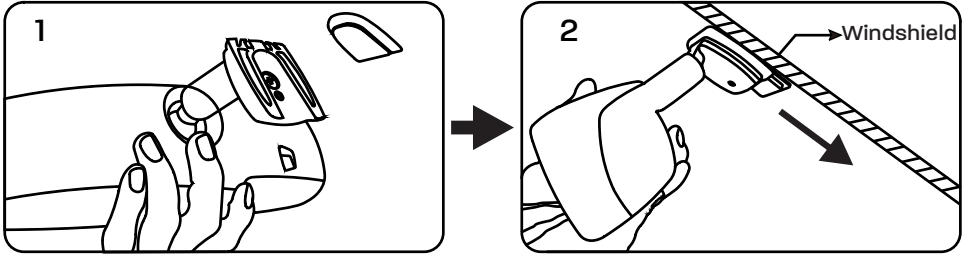
Note: This system has a built-in delay timer that can be set to prevent the video input from flashing ON/OFF with the vehicle's turn signal pulse. This feature will ensure that the video input will remain on the screen until the turn signal is deactivated. The default setting is ten (10) seconds. Reference "Menu Settings on page 8 for more information.

Installation (CONT)

Wire Harness Installation



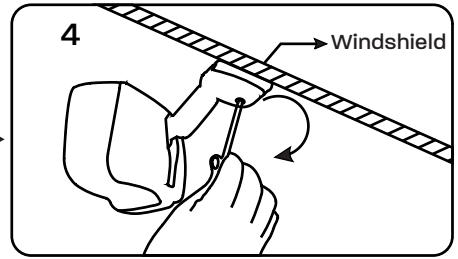
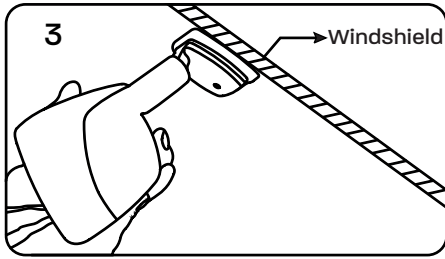
Mirror Installation (Universal Wedge Mount)



1. Remove the original mirror and prepare 250-8273 for installation
 - Inspect all parts of the 250-8273 to ensure no defects are present before installation
 - Using a supplied Torx wrench, loosen mounting set screw.
2. Install rear view mirror along this direction.

Note: Wire cover must be installed on the mirror mount before installing onto the windshield wedge mount.

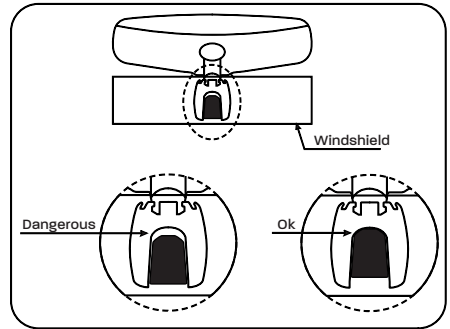
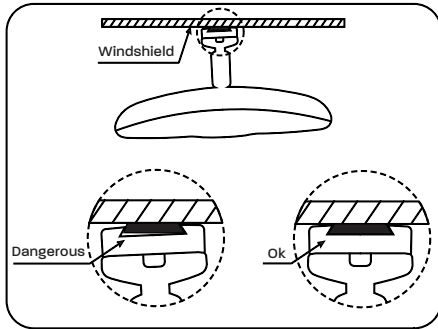
Installation (CONT)



1. Make sure to install the mirror completely onto the universal wedge mount.
2. Use the supplied Torx wrench to secure the mirror to the universal wedge mount.

Note: Always use caution, DO NOT force the mount. Rostra will not be responsible for broken windshields. If you are not sure how to remove or re-install the mirror seek trained, qualified help.

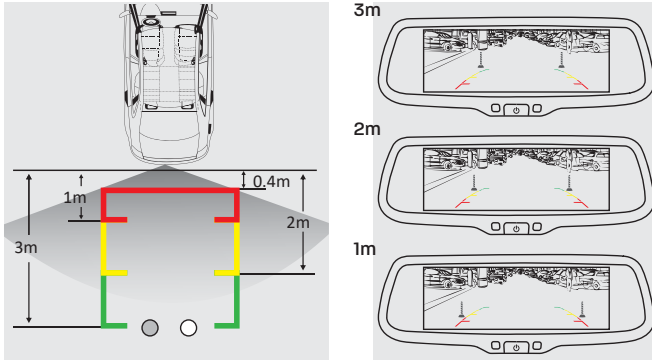
CAUTION!



Parking Line Adjustment

About Parking Guide Lines

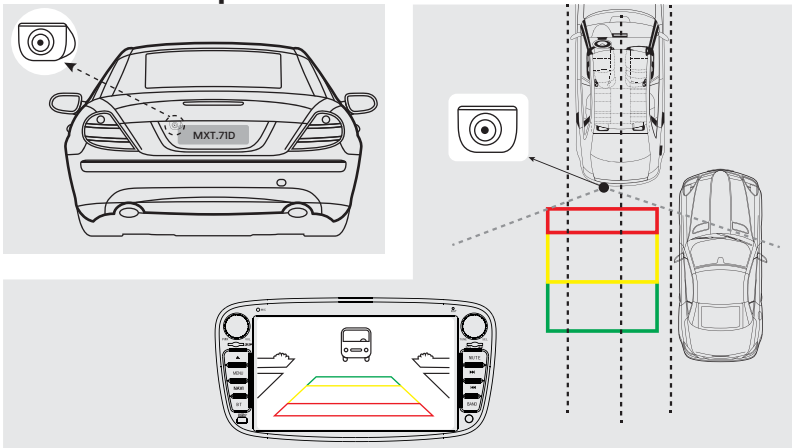
Generally, to help drivers estimate the distance from obstacles, there are three lines for reference; red, yellow and green. These lines are displayed on the monitor when reversing. The green line is 3m away from the back of car and the yellow line is 2m. The distant red line is 1m away from the backside of car while the closed red line is 0.4m. Both reference lines on the left and right should leave 0.2m from the car.



About Fixed Parking Guide Lines

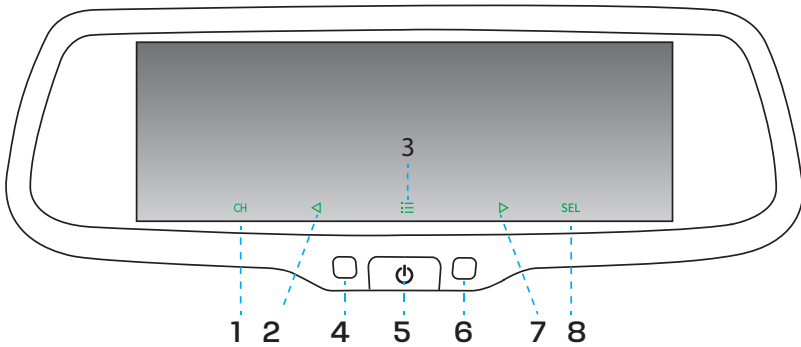
Regular guide lines are fixed and cannot be moved, but the installation sites of cameras and car sizes are different. The fixed guide line is not accurate enough for drivers. The guide lines on this system can be adjusted to fit the specific vehicle.

Fixed Guide Line Example



Operation

Mirror Controls



1. **Video Channel:** Switch between available camera views.
2. **Function Button: Selection Left/Down**
3. **Menu Access (Grid Line Adjustment)**
4. **Light Sensor**
5. **Power Button: Display On/Off**
6. **Indicator**
7. **Function Button: Selection Right/Up**
8. **Menu Select**

Preferred Camera View

The Preferred Camera View can be used to quickly access the camera view that is most helpful to the user (Example: Front Camera View. If the user powers off the mirror by pressing the power button (5), the mirror will automatically display the preferred camera view when powered back ON.

To change the preferred camera view:

- Press the “CH” button (1) on the mirror to cycle through the available camera views.
- Stop when the preferred view is displayed.

Manual Display Control

This system can display each video input manually. This can be helpful to monitor the vehicle's blind spot when driving on the highway.

- **Using Mirror Control:** Press the "CH" button on the mirror to cycle through the available camera views.
- **Dash Control Switch:** Press the dash control switch to cycle through the available camera views.

Automatic Display Control

This system is designed to automatically display that correct camera input when it receives any one of three trigger inputs.

- **Backup Camera:** To display the backup camera engage the vehicle's reverse gear.
- **Left or Right Blind Spot Viewing:** To view the left or right blind spot camera, engage the vehicle's left or right turn signal.
- **Front Camera Viewing:** The front camera input is automatically displayed for ten (10) seconds when the vehicle's reverse gear is disengaged.

Display Modes

Available Display modes:



VIDEO1 mode



VIDEO 4 mode



VIDEO 2 mode



VIDEO 3 mode



36 MONTH LIMITED WARRANTY

Voxx Electronics Corporation (the Company) warrants to the original purchaser of this product that should this product or any part thereof, under normal use and conditions, be proven defective in material or workmanship within 36 months from the date of original purchase, such defect(s) will be repaired or replaced with new or reconditioned product, (at the Company's option) without charge for parts or repair labor. A transmitter for a vehicle security or remote start system is warranted for 12 months from the date of original purchase.

To obtain repair or replacement within the terms of this Warranty, the product is to be delivered with proof of warranty coverage (e.g. dated bill of sale), authorization number, specification of defect(s), transportation prepaid, to an approved warranty station. This warranty is not transferable.

This Warranty does not cover damage to the vehicle's electrical system or costs incurred for the installation, removal or reinstallation of the product. This Warranty does not cover batteries, broken LCD transmitter display screens, nor apply to any product or part thereof which, in the opinion of the Company, has suffered or been damaged through alteration, improper installation, mishandling, misuse, abuse, neglect, accident, or by removal or defacement of the factory serial number/bar code label(s).

This Warranty is in lieu of all other express warranties or liabilities. ANY IMPLIED WARRANTIES, INCLUDING ANY IMPLIED WARRANTY OF MERCHANTABILITY, SHALL BE LIMITED TO THE DURATION OF THIS WRITTEN WARRANTY. ANY ACTION FOR BREACH OF ANY WARRANTY HEREUNDER INCLUDING ANY IMPLIED WARRANTY OF MERCHANTABILITY MUST BE BROUGHT WITHIN A PERIOD OF 24 MONTHS FROM DATE OF ORIGINAL PURCHASE. IN NO CASE SHALL THE COMPANY BE LIABLE FOR ANY CONSEQUENTIAL OR INCIDENTAL DAMAGES FOR BREACH OF THIS OR ANY OTHER WARRANTY. No person or representative is authorized to assume for the Company any liability other than expressed herein in connection with the sale of this product.

The company does not warrant that this product cannot be compromised or circumvented. THE EXTENT OF THE COMPANY'S LIABILITY UNDER THIS WARRANTY IS LIMITED TO THE REPAIR OR REPLACEMENT PROVIDED ABOVE AND, IN NO EVENT, SHALL THE COMPANY'S LIABILITY EXCEED THE PURCHASE PRICE PAID BY PURCHASER FOR THE PRODUCT WITHOUT INSTALLATION LABOR.

Some states do not allow limitations on how long an implied warranty lasts or the exclusion or limitation of incidental or consequential damage so the above limitations or exclusions may not apply to you. This Warranty gives you specific legal rights and you may also have other rights which vary from state to state.

Voxx Electronics Corporation, 2351 J. Lawson Blvd., Orlando, Florida 32824

